



TA2E **TA2SE**
TA2EH **TA2SEH**

Specification

Payload	2000 kg
Gross Engine Power	24.5 kW (32.6 hp)
Max Skip Capacity	1200 Litres

Features

- Large heaped skip capacities (1200 Litres).
- “Rental Tough” designs and fabrications to keep you working in the toughest of conditions.
- Exceptional service access and ease of maintenance built into every machine.
- High ground clearance, low centre of gravity for superb stability and site accessibility.
- Powerful, reliable and economical Kubota engines.
- Power Swivel (S) enables effective placement of load to either side - useful for trench filling or small sites.
- Power Elevating (E) for high level tipping into skips - can tip over 1600 mm skip side.
- Narrow width (under 1.5m) for access in confined spaces.
- Manual gearbox transmission on TA2E and TA2SE
- Hydrostatic drive on TA2EH and TA2SEH

Specifications

Performance				
	TA2E	TA2EH	TA2SE	TA2SEH
Payload (kg)	2000	2000	2000	2000
Unladen Weight (kg)	1920	2100	2070	2300
Skip Capacity - Water (ltr)	750	750	750	750
- Struck (ltr)	1000	1000	1000	1000
- Heaped (ltr)	1200	1200	1200	1200
Engine	Kubota D1703M			
- Net Power - kW (hp)	24.5 (32.6)			
- Displacement	1647 cc			
- Maximum Torque	105 Nm			
Tyre Size	10.0/75x15.3x10 ply			
Drive	3/1 manual - permanent 4WD	2/2 hydrostatic via drop box	3/1 manual - permanent 4WD	2/2 hydrostatic via drop box
Max Travel Speed - mph (kph)	11.0 (18.0)	10.0 (16.0)	11.0 (18.0)	10.0 (16.0)
Gradeability	25 %	25 %	25 %	25 %
Fuel Tank Capacity	23 Litres	23 Litres	23 Litres	23 Litres
Hydraulic Tank Capacity	25 Litres	25 Litres	25 Litres	25 Litres

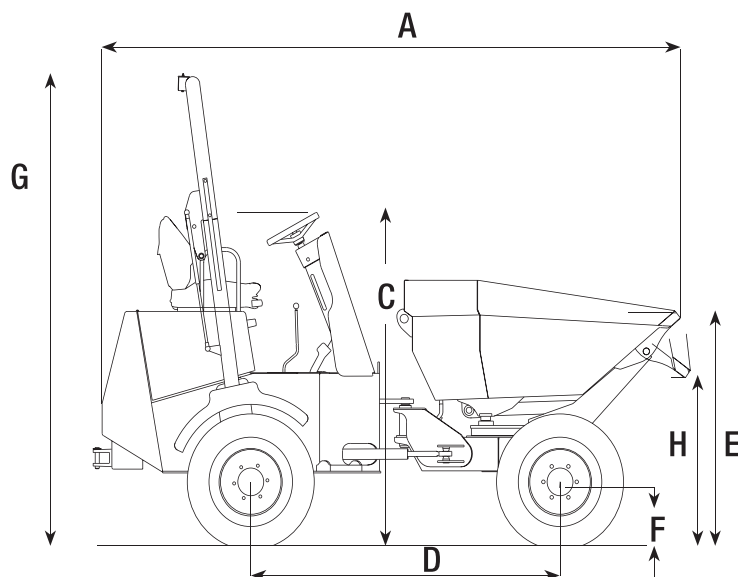
Hydraulic System (Gear Pump)				
	TA2E	TA2EH	TA2SE	TA2SEH
Flow rate	21 l/min	21 l/min	21 l/min	21 l/min
Operating Pressure	210 bar	210 bar	210 bar	210 bar

Braking System				
	TA2E	TA2EH	TA2SE	TA2SEH
Working Brake	Oil immersed discs on front axle			
Parking Brake	Over Centre Handbrake - Oil immersed discs front axle			

Electrical System				
	TA2E	TA2EH	TA2SE	TA2SEH
Voltage	12 V	12 V	12V	12 V
Battery	74 Ah	74 Ah	74 Ah	74 Ah
Alternator	55 A	55 A	55 A	55 A

Dimensions

B = Overall Width (not shown)



Dimensions (mm)		TA2E	TA2EH	TA2SE	TA2SEH
A	Total Length	3570	3570	3550	3550
B	Total Width (Not shown)	1492	1492	1492	1492
C	Height to Top of Steering Wheel	1910	1937	1910	1937
D	Wheelbase	1900	1900	1900	1900
E	Height to Front Lip of Skip (untipped)	1424	1454	1492	1522
F	Ground Clearance	251	184	251	184
G	Height to Top of ROPS (raised)	2697 (+200 over Beacon)	2727 (+200 over Beacon)	2697 (+200 over Beacon)	2727 (+200 over Beacon)
H	Height to Front Lip of Skip (tipped)	1044 (Lowered) / 1542 (Raised)	1074 (Lowered) / 1572 (Raised)	1112 (Lowered) / 1610 (Raised)	1142 (Lowered) / 1640 (Raised)
	High Discharge Height to Front of Skip	1542 mm (Raised)	1572 mm (Raised)	1610 mm (Raised)	1640 mm (Raised)
	Turning Radius to Outside of Skip	3680 mm	3680 mm	3680 mm	3680 mm
	Steering Angle	± 30.6°	± 30.6°	± 30.6°	± 30.6°
	Oscillation	± 10.5°	± 10.5°	± 10.5°	± 10.5°
	Tipping Type	Elevating Forward Tip	Elevating Forward Tip	Elevating Swing Tip	Elevating Swing Tip

Standard Equipment & Options

Standard Equipment
Folding ROPS Frame
Reversing Alarm
Flashing Beacon
Towing Bracket
Leg Guard

Optional Equipment
Road Lights (RTA)
Rear View Mirror (standard in some markets)
Turf Tyres (11.5 / 15.3)
KOSRAN Anti-theft immobiliser
CESAR Datatag Security
Fan Guard
Spare Wheel

Dealer

Effective Date: 01 June 2010. Product specifications and prices are subject to change without notice or obligation. The photographs and/or drawings in this document are for illustrative purposes only. Refer to the appropriate Operator's Manual for instructions on the proper use of this equipment. Failure to follow the appropriate Operator's Manual when using our equipment or to otherwise act irresponsibly may result in serious injury or death. The only warranty applicable to our equipment is the standard written warranty applicable to the particular product and sale and Terex makes no other warranty, express or implied. Products and services listed may be trademarks, service marks or trade-names of Terex Corporation and/or its subsidiaries in the USA and other countries. All rights are reserved. Terex® is a registered trademark of Terex Corporation in the USA and many other countries. © 2010 Terex Corporation. ♻️ Printed on material using 55% recycled fibre from both pre and post-consumer sources, together with 45% virgin ECF fibre from sustainable forests.

TEREX515UK

Terex United Kingdom Limited
Central Boulevard, ProLogis Park, Coventry, England CV6 4BX
Tel +44 (0) 2476 339400 Fax +44 (0) 2476 339500
Email enquiries@terexce.com www.terex.co.uk

