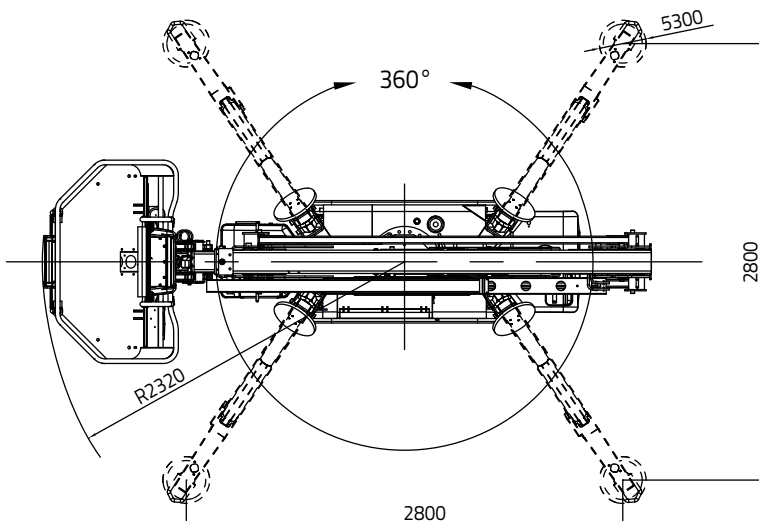
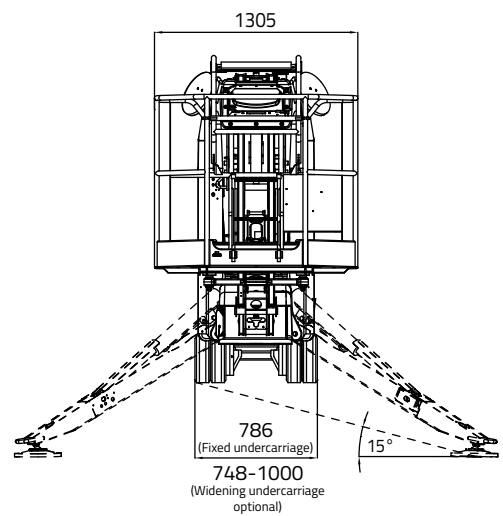
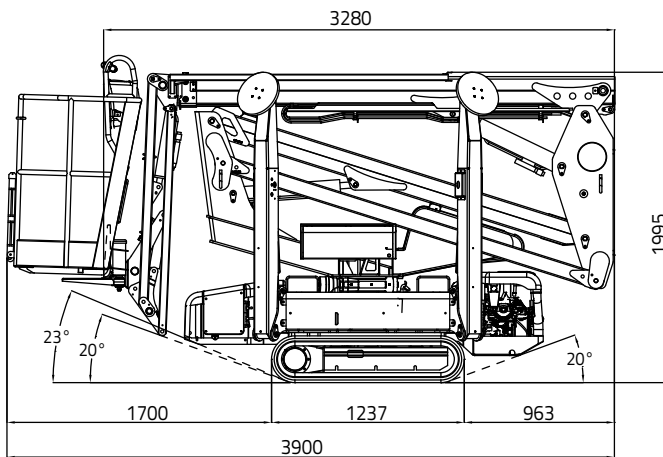


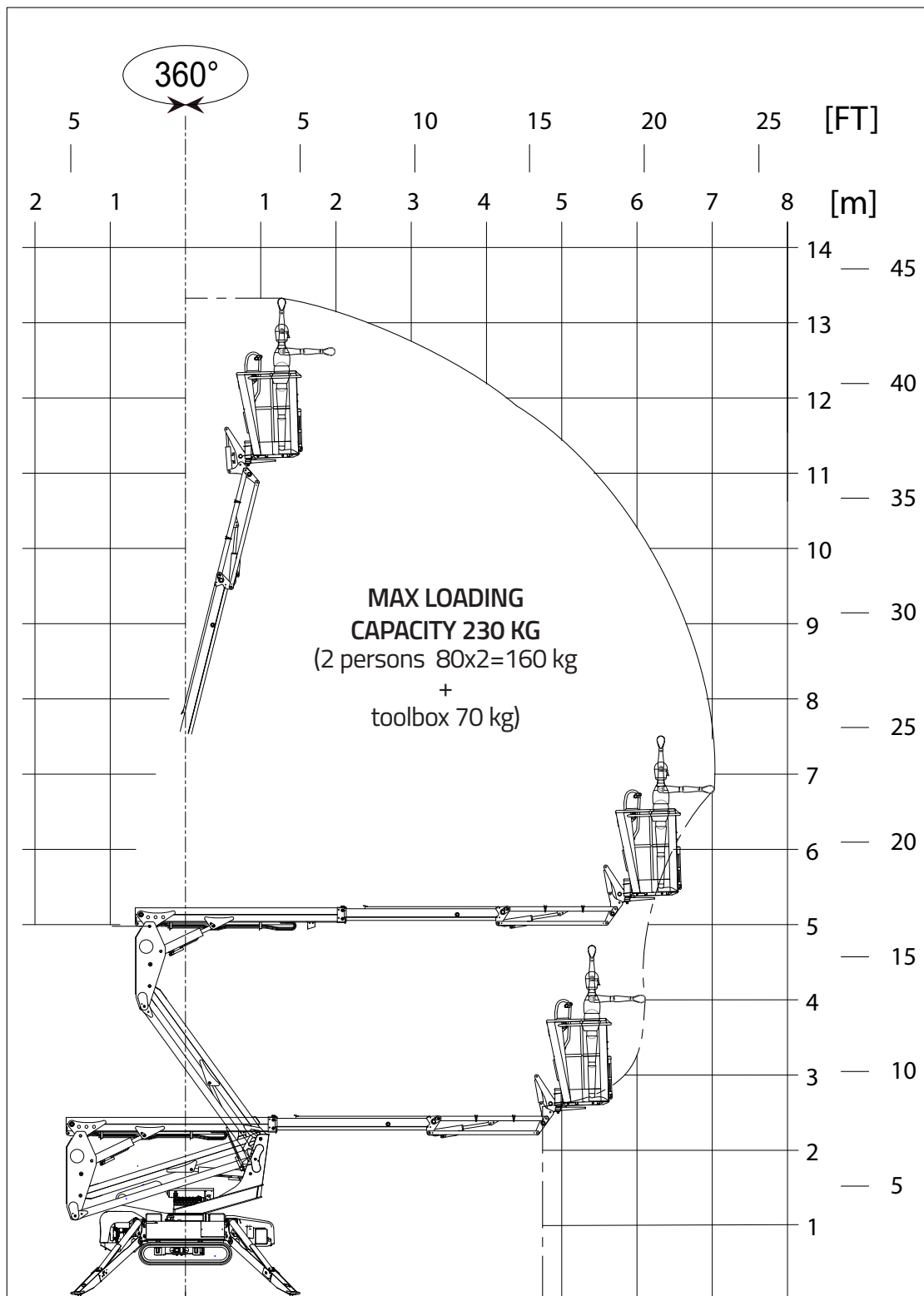
TRACKED AERIAL PLATFORMS



LIGHTLIFT 13.70 *PERFORMANCE III*



LIGHTLIFT 13.70 *PERFORMANCE III*



TRACKED AERIAL PLATFORMS



LIGHTLIFT 13.70 *PERFORMANCE III*

PETROL ENGINE

Brand.....HONDA
TypeiGX390
Pistons no. and displacementsingle-cylinder 389 cc
Max. gross power.11,7 HP - 8,7 kW @ 3600 rpm
Electrical start12 volt

DIESEL ENGINE

Brand.....HATZ
Type.....1B40 - HD Autorev
Pistons no. and displacementsingle-cylinder 462 cc
Max. gross power.10 HP - 7,5 kW @ 3600 rpm
Electrical start12 volt

ELECTRIC MOTOR

Standard230V / 50 Hz - 2,2 kW
Optional110V / 50 Hz - 2,2 kW

HYDRAULIC PUMPS

Pump diesel engineno. 2 gear pumps
Pump electric motorno. 2 gear pumps

TRACKED UNDERCARRIAGE

Track tensionergrease-filled
Rollers no. per side3 + slide
Fixed width786 mm
Optional widening system748 / 1100 mm
Translation speed (thermic engine) with 2nd auto2speed.....1,4 - 2,6 km/h

WEIGHT MACHINE2185 kg
MAX UPPER SLANT16° / 28,7%
MAX WIND SPEED12,5 m/s



TRACKED AERIAL PLATFORMS

LIGHTLIFT 13.70 *PERFORMANCE III*



ELECTRIC SYSTEM

Electric system voltage.....	36V-12V
Lithium battery pack.....	3,6 KWh
Autonomy (continuous cycle)*	4-5 h
Onboard battery charger	220V 50Hz
Optional battery charger	110V 50Hz
Recharge time on flat batteries.....	4 h (indicative)
Recharge time to 80% on flat batteries.....	2 h (indicative)

HYDRAULIC PUMPS

Electric motor	no.2 gear pumps
----------------------	-----------------

TRACKED UNDERCARRIAGE

Track tensioner	grease-filled
Rollers no. per side	3 + slide
Fixed width	786 mm
Optional widening system	748 / 1100 mm
Translation speed with 2 nd auto2speed	0,4-0,8-1,6 km/h

WEIGHT MACHINE	2220 kg
MAX UPPER SLANT	16° / 28,7%
MAX WIND SPEED	12,5 m/s

* (Autonomy measured with Hinowa H2 operating cycle)